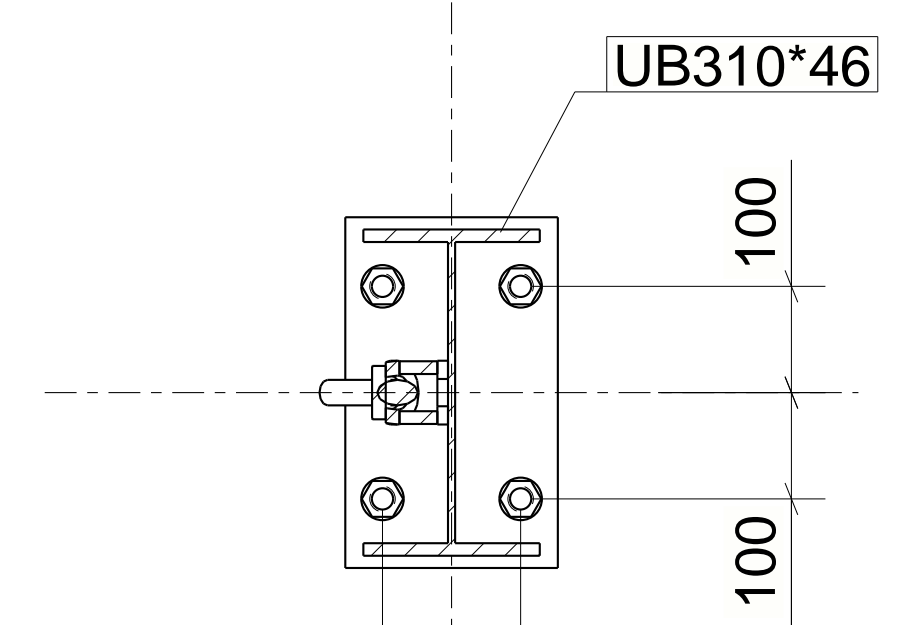
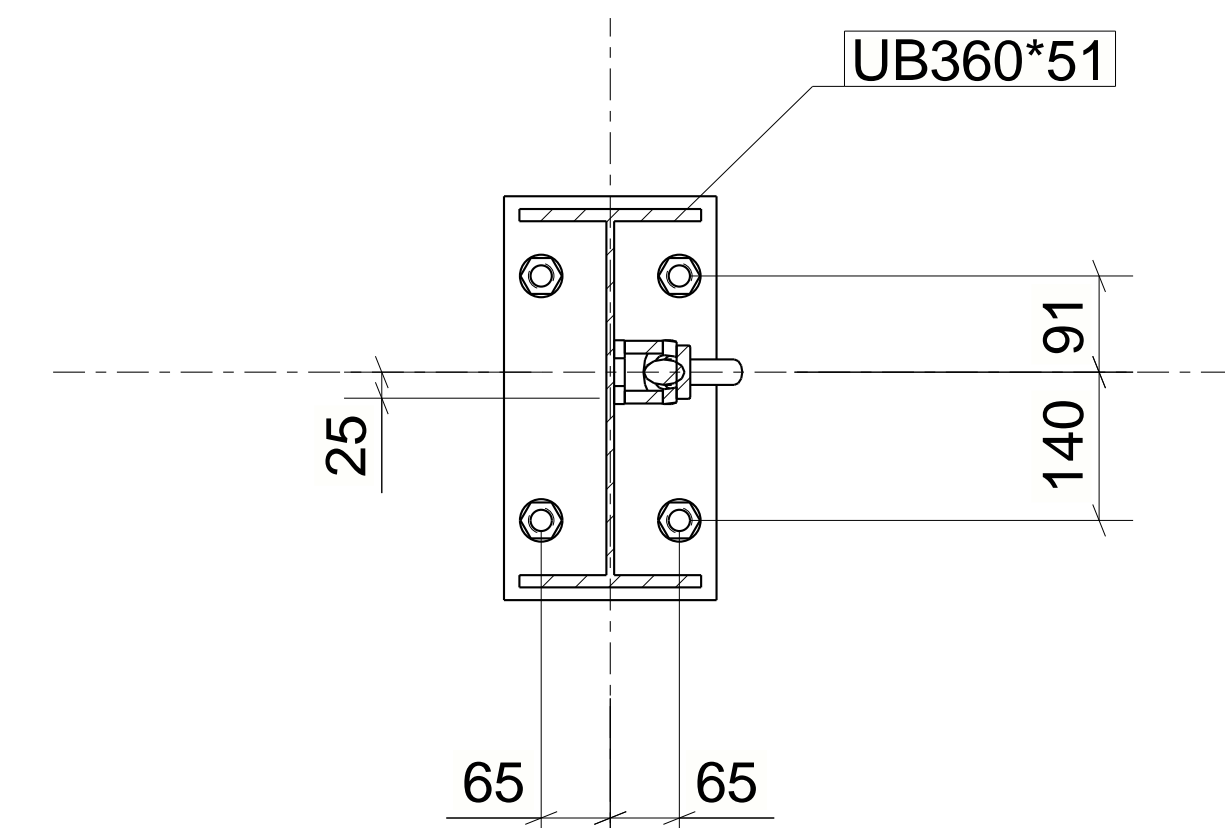


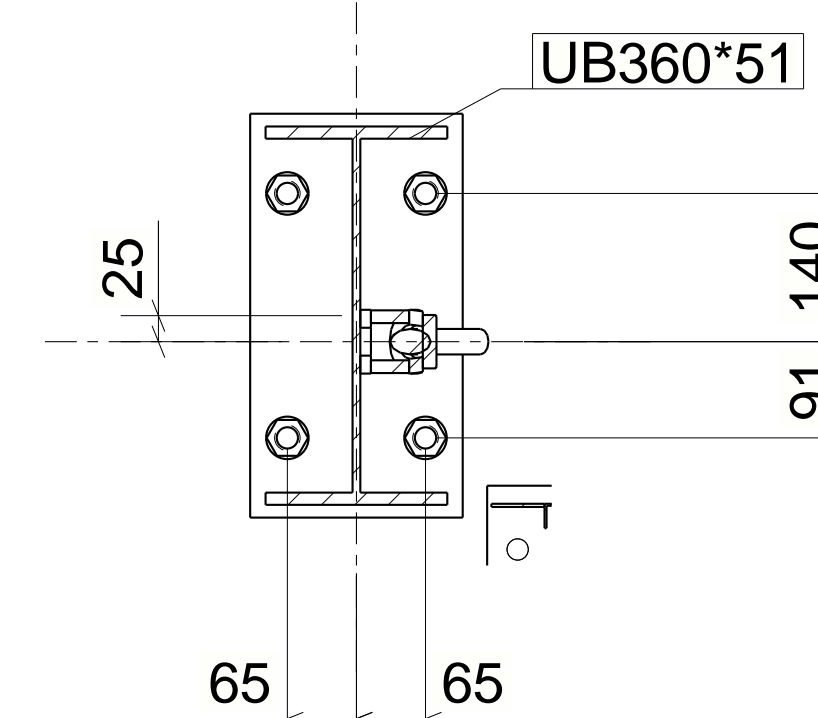
HOLD DOWN BOLT PLAN
1:100



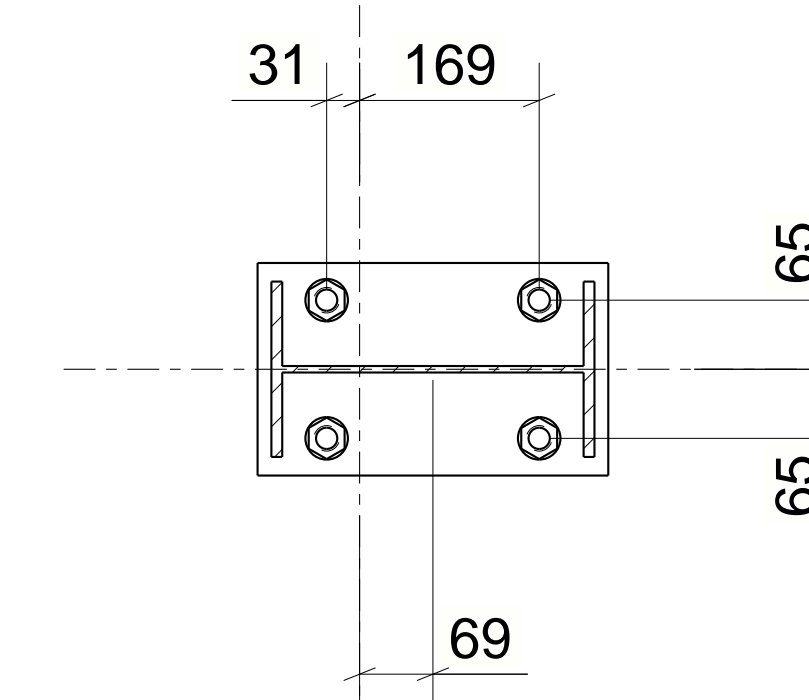
DETAIL-A



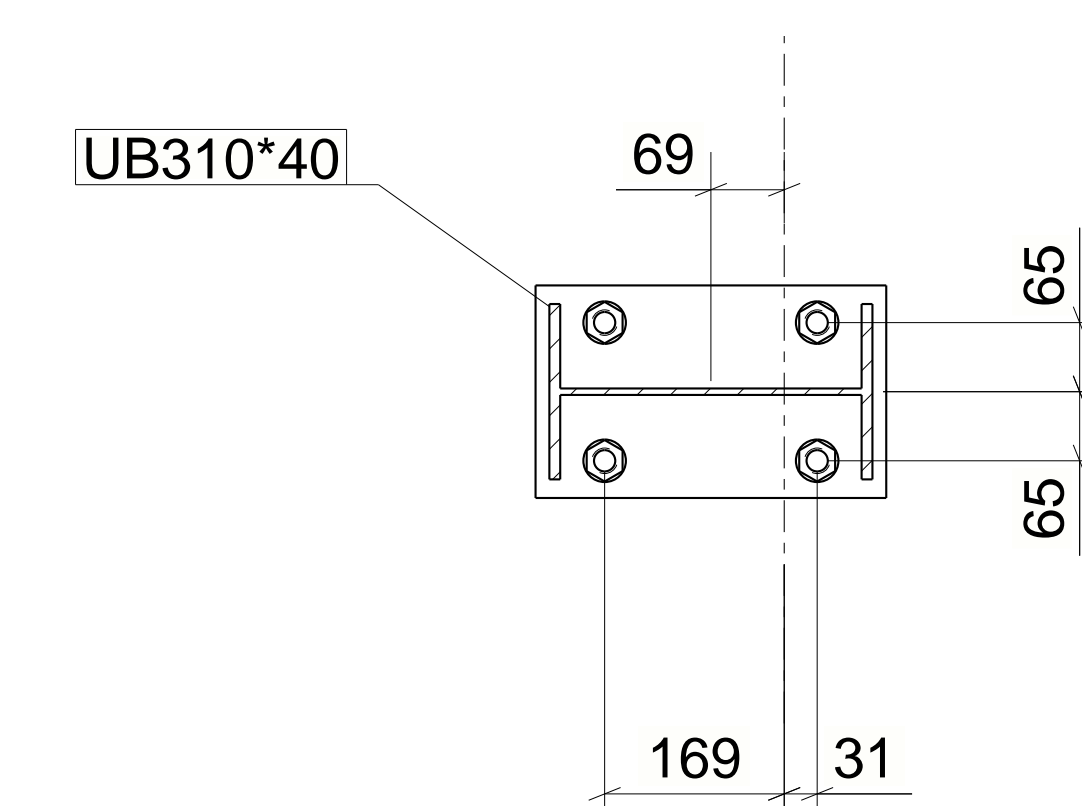
DETAIL-B



DETAIL-C



DETAIL-D



DETAIL-E

Erection Notes

This drawing is copyright and the property of STATE WIDE SHEDS and must not be retained, copied or used without their authority.

SWS Quality Control

REV	DATE	DESCRIPTION
	03.06.2024	

REV	DATE	DESCRIPTION
	03.06.2024	

Bower Homes		51.7X28.3X6M			
DRAWING TITLE: HD1					
MODELLED BY: S.H.		CREATED: 25/03/2024	MODIFIED: 03.06.2024	SHEET No./REV.	
SCALE: 1:10		JOB No. 1007311			